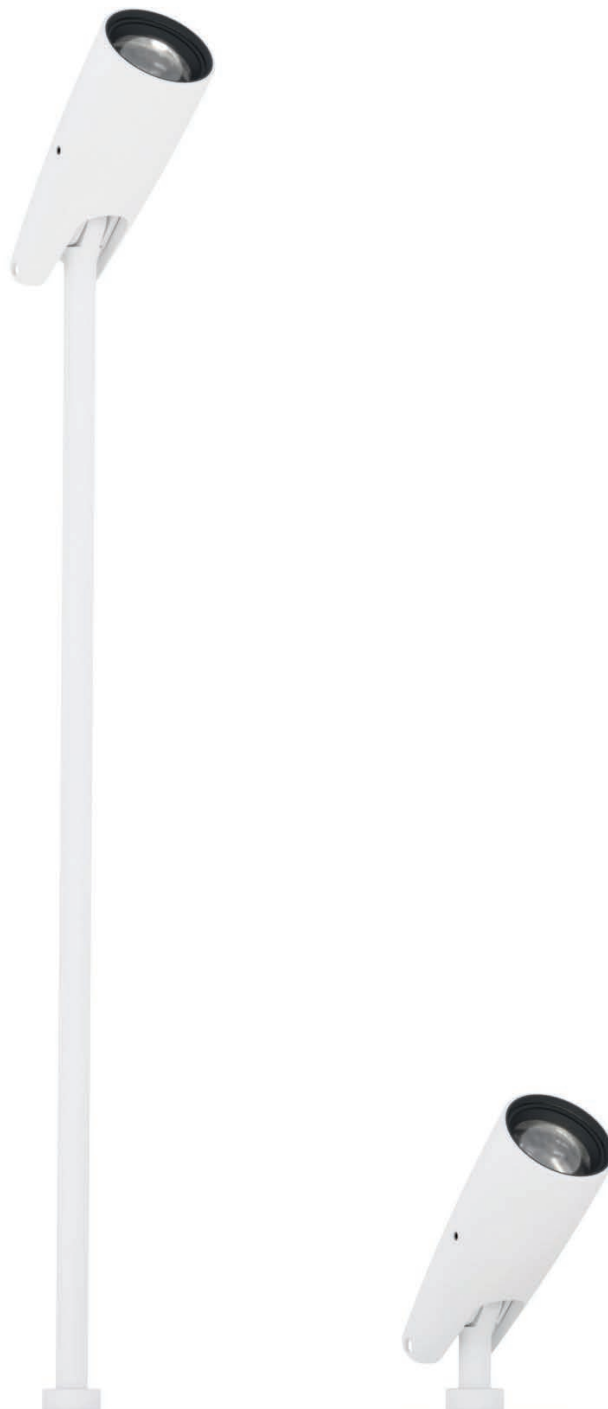


Focus^{GIII}

Track & Surface Mounted Fixtures



> Focus^{GIII} Track & Surface Mounted Fixtures

In 2013, CLS introduced the original Focus. The compact zoom fixture was specially developed for the National Military Museum in the Netherlands. Almost 2,000 DMX controllable Focus Track fixtures were used in this first project. In the past decade, several new variants were developed at the request of lighting designers. With the arrival of Focus Micro, new standards were set.

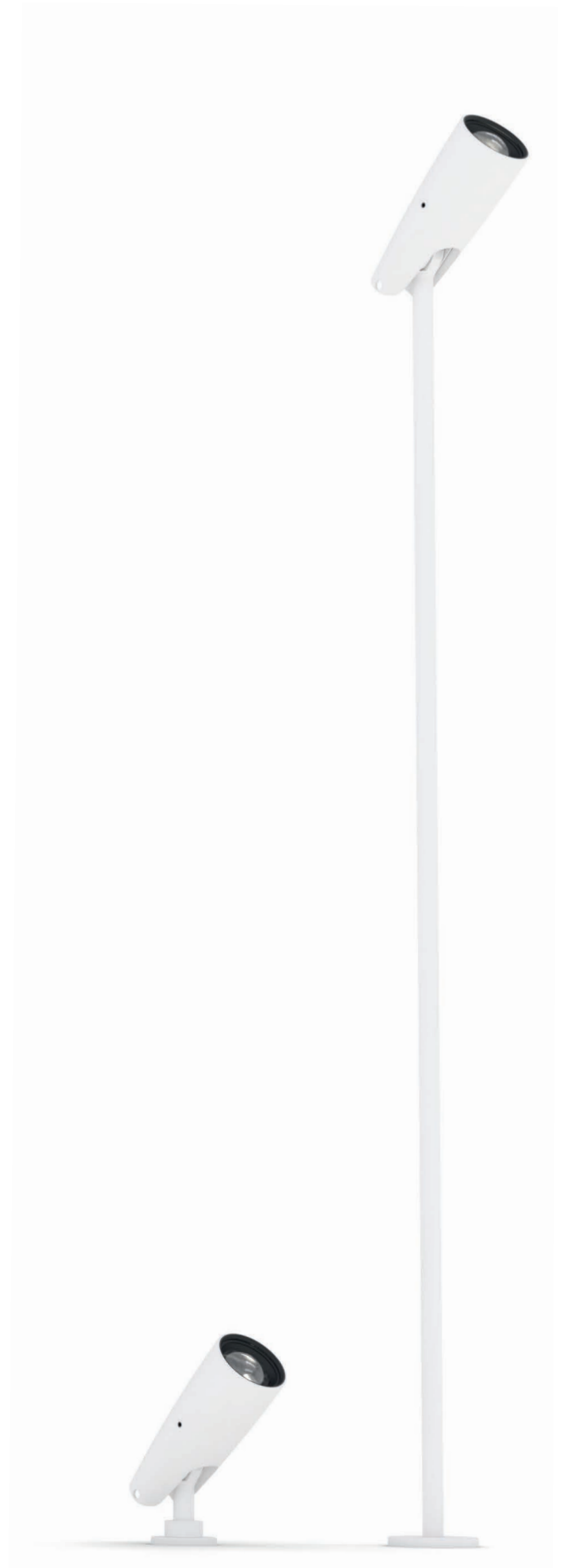


Now there is the Focus^{GIII} Series. Immediately visible is the new design. The modern, yet subtle design allows the Focus^{GIII} to seamlessly blend with the design of the Focus Micro. Technically, there have been some changes too;

- > The Focus^{GIII}'s zoom range has increased by 20%, to 10°-70°, allowing it to set the ideal beam angle for almost any application.
- > Thanks to new technologies, the light output is 20% higher.
- > The dimensions? 20% smaller than the previous Focus.

In short, the same familiar features of the Focus Series, but 'Simply better'.

Thanks to new control options, higher light outputs and many mounting options, the Focus^{GIII} series is not only the ultimate lighting solution in museum environments, but also offers many possibilities in all environments where a compact lighting solution with variable beam angles is required.

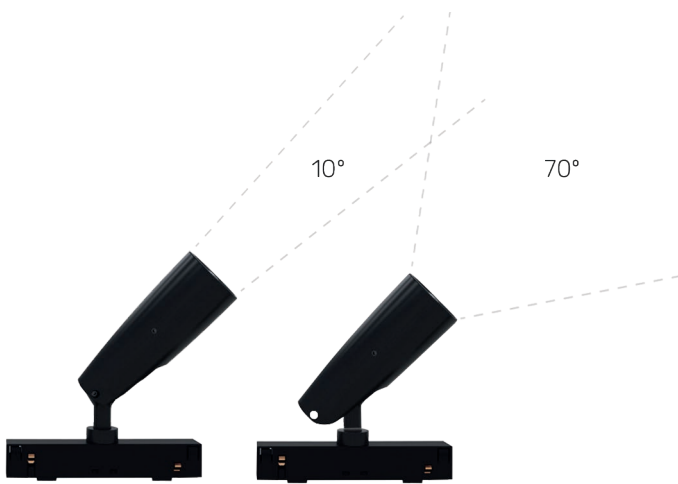


CLS Performance Zoom

The CLS Performance Zoom system allows users to quickly and easily set the light's beam angle from 10° to 70°.

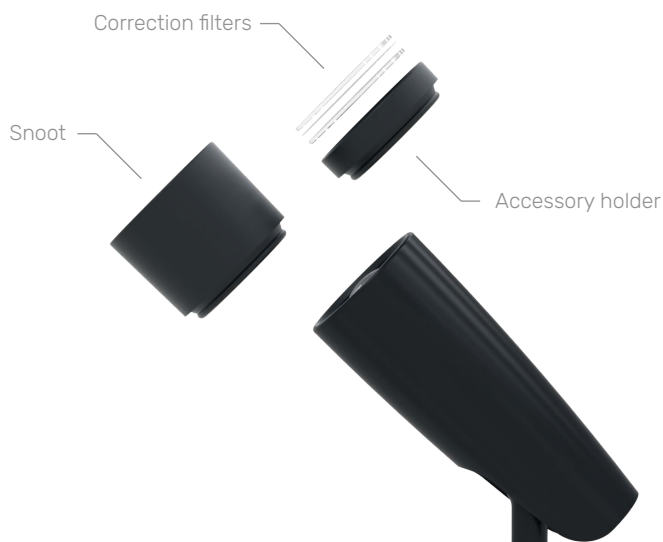
Designers no longer have to compromise on creating the ideal light display, because the ideal beam can now be set for almost any size object.

The big advantage for museums is that with just one fixture, changing exhibitions can be optimally illuminated time and time again. It is obvious that there are many advantages to such a concept.



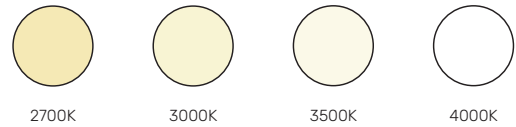
Horizontal & vertical locking

All Focus variants feature stepless horizontal and vertical locking of the fixture. This is to prevent third parties from inadvertently changing the position of the luminaire after the luminaire has been accurately aligned.



Excellent colour rendering

Lighting designers have the choice of several light sources. There is a choice of extra-warm white (2700K), warm white (3000K), fresh white (3500K) and neutral white (4000K). With a CRI of ≈95, the colour rendering is excellent. Other light colours are available on request, subject to minimum order sizes.



High light efficiency

Thanks to the use of efficient optics in combination with the latest generation of LED light sources, the Focus^{GIII} offers high light efficiency for such a compact zoom fixture. Its power consumption is just 7 Watt, with a maximum light output of more than 400 Lumens.

Light correction & accessories

The Focus has the option to mount correction and/or colour filters using the included accessory holder. For a particularly soft and homogeneous light beam, the Focus is equipped with a soft diffusion filter. With a light transmission of no less than 94%, the light output remains optimal. An elliptical beam shaper is available to create perfect elongated light beams.

The extension tubes of 10 cm and 30 cm can be seamlessly combined to a length of 120 cm. These provide even more flexibility when drawing up the lighting plan. The extension tubes are suitable for both the track and surface-mounted Focus^{GIII} variants.



Unprecedented choice of dimming and control options

CLS offers an enormous selection of dimming and control options. For every application, there is a control option available.

> DMX512 & 24V

An extremely compact 24V single-phase rail, which is equipped with a data bus function, provides both the voltage and the digital control signal via DMX512.

DMX512 is worldwide the most used protocol for accurate programming of complete multimedia shows and exhibitions.

Individual addressing and programming

Each fixture can be addressed individually through a quick and easy operation. Thanks to the individual address, it is possible to program each fixture statically or dynamically and to adjust the light intensity.

Memory-on-board function

The Focus is equipped with a so-called memory-on-board function. After programming a dimming setting by means of the DMX signal, the value is stored in the built-in memory. In the unlikely event that the control signal fails, the fixture will still display the correct light intensity.

DMX 512

> Magno Dim

For users who want to be able to dim individually without having to use external control equipment, CLS has designed the revolutionary Magno Dim system. This very ingenious system makes it possible to store dimming values in the Focus's memory with just a small magnet. The system works extremely accurately and quickly. Within a few seconds, the dimming value is stored.

Control via Magno Dim is available for the 24V T DMX variant of the Focus and the Focus T 230V.

Focus Track 230V Magno

The Focus T 230V is available for use in standard 3-phase track systems. The Focus T 230V has an internal power supply and can be used on almost any brand of 3-phase track. The light output corresponds to that of the widely used traditional 35W halogen luminaires. This makes the Focus an ideal solution for replacing old systems easily and without concessions.





> Casambi

With Casambi, the Focus^{6III} can be dimmed precisely and quickly, without having to install an additional data infrastructure. Thanks to Casambi's great ease of use, anyone - from professionals to consumers - can control the lighting installation. In addition, professionals can create scenes that end users can then choose from.

Presence or motion sensors can be easily linked. This makes it possible, for example, to create a dynamic effect in an interactive exhibition or to protect collections extra effectively by only lighting the room when visitors are present.

Control via Casambi is possible for the Focus T 230V In-Track and the surface-mounted version of the Focus in combination with a Casambi driver.

CASAMBI

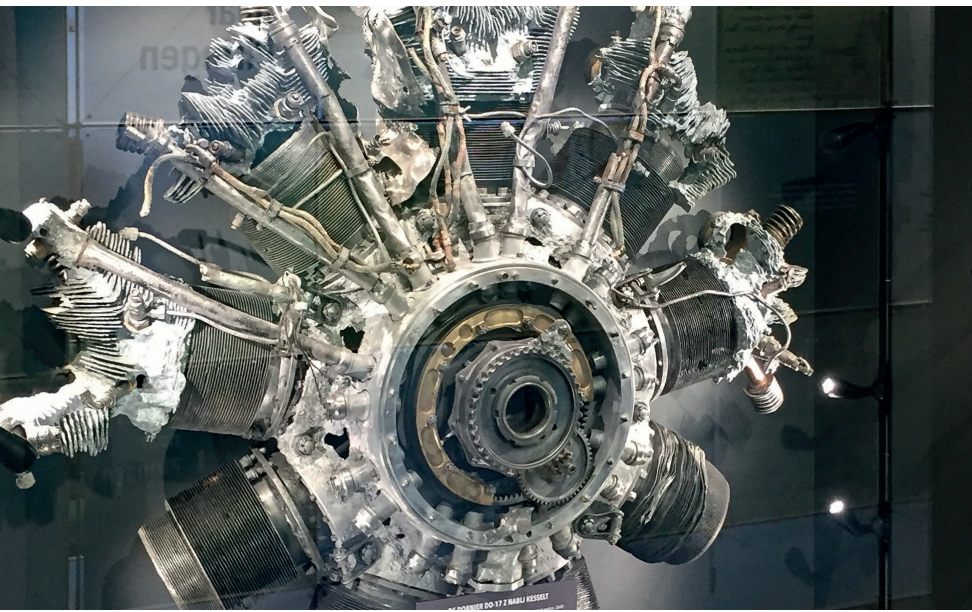
The Focus^{6III} variants summarized

- > 700 mA constant current surface-mounted with external drivers.
- > 24V Track with DMX512 and Magno Dim control.
- > 230V Track with Magno Dim control.
- > 230V In-Track with Casambi or DALI control.
- > 230V In-Track, Non-dim.

All variants can be fitted with extension pipes for maximum flexibility in projects.







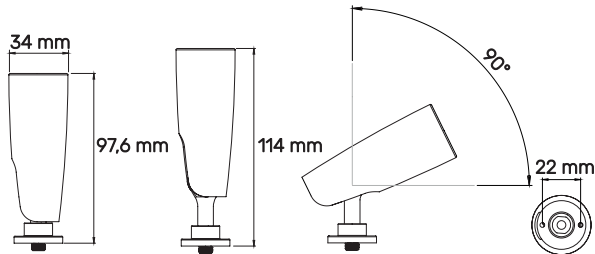
Because lighting is an art

A sound investment

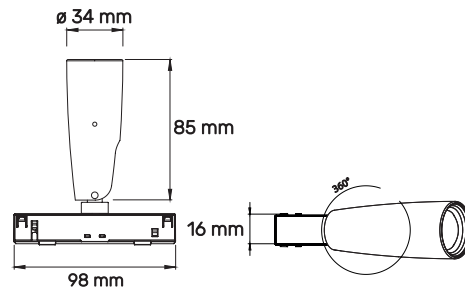
The Focus uses only the highest quality components. No compromises are made regarding the quality of the individual components. The patented heat sink ensures optimum cooling of the light source, so that the potential lifetime of 50,000 hours for the LED module can actually be achieved.

Unlike many other market players, **CLS designs and manufactures its products in the Netherlands**. CLS belongs to a group of companies with more than 35 years of expertise in the lighting world. This offers you extra security, also in the long term.

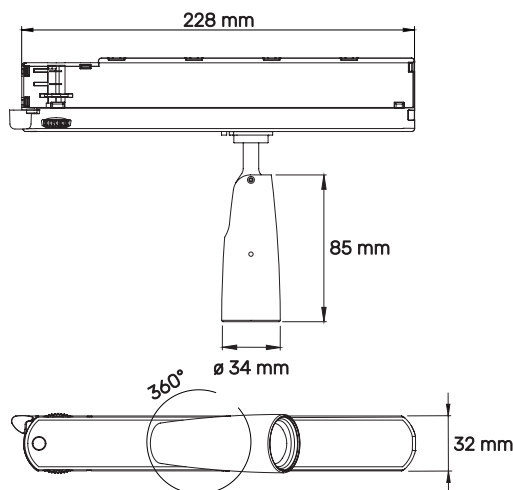
Dimensions



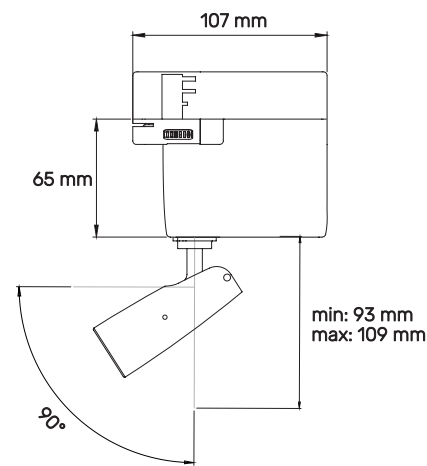
Focus^{GIII}



Focus^{GIII} T DMX



Focus^{GIII} T 230V (non-dim, Casambi, DALI)



Focus^{GIII} T 230V Magno

Specifications

LED: High Power
 Available Colours: CRI=95 | 2700K, 3000K, 3500K or 4000K
 Beam angle: 10°-70° zoom range
 Power supply: Spot - 700mA / 24VDC
 Track - 24VDC or 100-230V built-in
 Power consumption: 7 watt

Housing: Anodized aluminium, black or white coated
 Swivel: 360° horizontal, 90° vertical
 IP value: IP20
 Operating temperature: From -10 °C up to 40 °C

Colour temperatures



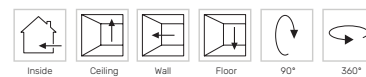
Optics



Housing



Mounting options



Control options



General specifications

