

Lina Series

Linear indoor fixtures



> Lina Series Linear indoor fixtures

CLS Lina series

The Lina series offers a unique combination of an extremely slim and compact design in combination with a high effective light output. In addition, one has the choice of various light colors, beam angles, colors of the fixture's housing and various lengths of the fixture. Combine this information with the many dimming possibilities, the large choice of mounting and adjustment options and it should be clear that the Lina series are revolutionary in terms of application possibilities.

We will explain the most important product features so that you can get inspired and design your own luminaire in a simple way with our unique online product configurator. The more than 2000 combination possibilities ensure that you do not have to make any concessions.

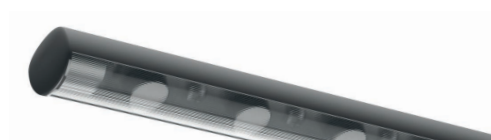
High light efficiency

The HP version is available for all possible applications where a high light output must be combined with the possibility of using a wide range of light opening angles. For applications requiring extremely soft diffuse light emission, you can choose the DF version, where no optics are visible either.



Special lighting comfort

In addition to the amount of effective light required for an application, in many cases light comfort is at least as important. The Lina uses a specially developed optical front housing that keeps inconvenient looks to a minimum. In the HP version, glare is further reduced by using particularly compact optical lenses which, thanks to their black housing and mounting on a dark-coloured background, keep any annoying reflections from the light source to an absolute minimum.



Choice of light colours, light temperatures & CRI values

As standard, the Lina is available in white light in colour temperatures extra warm white (2700K), warm white (3000K) and neutral white (4000K). Other colour temperatures up to 6500K are available on request.

For museum applications, CRI values ≈ 95 are possible (moq). On request, the Lina can also be equipped with coloured light for all possible decorative applications.



2700K



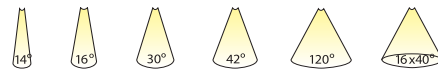
3000K



4000K

Large selection of beam angles

A wide range of optics is available to achieve optimum illumination of objects or spaces. For the HP version, there is a choice of no less than 6 different beam angles, from a narrow spot of 14° to an ultra-wide beam angle of no less than 120°. An elliptical aperture angle is also possible. For ultra soft light with a wide beam angle of 120°, we advise to select the DF version, which offers the soft diffused light that one would expect from a traditional fluorescent.



Dimming options

A wide range of dimming options are available to ensure optimum ease of use. You can choose from, among others:

- > 1-10V
- > DMX 512 protocol
- > Phase cut-off
- > Bluetooth control by Casambi
- > DALI



So there is always the possibility to perfectly integrate the Lina fixtures into your existing or desired infrastructure. Not all dimming options are available for all variants, you can easily discover the possibilities by using our interactive product configurator.

> Lina Series Linear indoor fixtures

Dimensions and colours

You can choose from a large number of standard length sizes for your Lina fixture. Standard lengths are 30, 55 & 80 cm. If you would like a longer length, this is possible in certain cases. CLS has produced custom solutions for various projects. Lengths up to 130 cm have already been used in projects.

For optimal integration in various interior applications, you can choose between a white and a black housing.



Product versions & mounting options

The Lina series is available in 3 different mounting options:

> Lina Clip surface mounted

offers a stepless adjustment range of no less than 180° for the light beam. In addition, the Clip version of the Lina offers the option of positioning the mounting brackets at any desired location on the fixture, so the fixture can be mounted on any surface and in virtually any position.



> Lina Suspended

offers the ultimate linear lighting solution for countless applications where high lighting comfort combined with high light output is required. Thanks to the use of an extremely thin hybrid cable, suspension is of an unprecedentedly elegant level.



> Lina Track

offers designers the possibility of combining an extremely slim linear lighting solution with other track fixtures to achieve the perfect lighting plan. For example, in museum projects Lina Track DF is often used as precious work lighting.



As a medium-sized manufacturer, CLS is able to create customised solutions quickly. Our R&D engineers have a particularly pragmatic approach and therefore come up with cost-effective solutions.

Some examples of special customised solutions:

- > Adaptation of the mechanical fastening of the Lina Suspended so that the fixture could be used as an uplighter.
- > Adaptation of the mounting system so that an extra-long version of the Lina could be realised in a straight forward manner.

Areas of application

The applications of the Lina are so varied that it is impossible to list them all. We would therefore like to mention just a few:

- > Illuminating walls, ceilings and all possible objects over a range of more than 10 metres.
- > Use as general lighting in all possible areas.
- > Use as design lighting in offices.
- > Use as dimmable work lighting in museums and exhibition areas.

Architects and designers worldwide are constantly finding new innovative applications for the Lina series.

> **Lina Series** Linear indoor fixtures



National Organ Museum, Netherlands



Gashouder Westergasfabriek, Netherlands

> **Lina Series** Linear indoor fixtures



Nationaal Militair Museum, Netherlands



Noorderkerk, Netherlands

> **Lina Series** Linear indoor fixtures



Raf Hairdressers, Netherlands



Het Scheepvaart Museum, The Netherlands

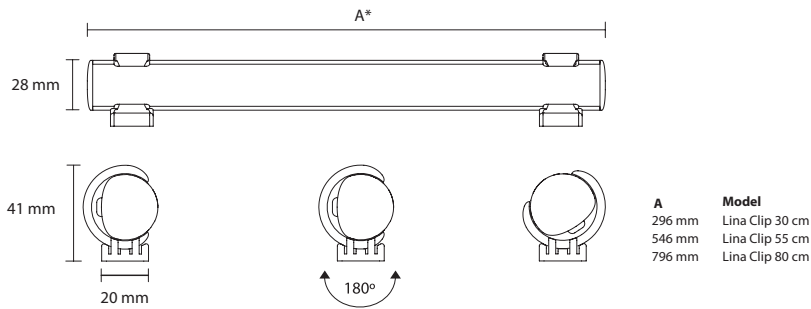
> Lina Series Linear indoor fixtures

A responsible investment

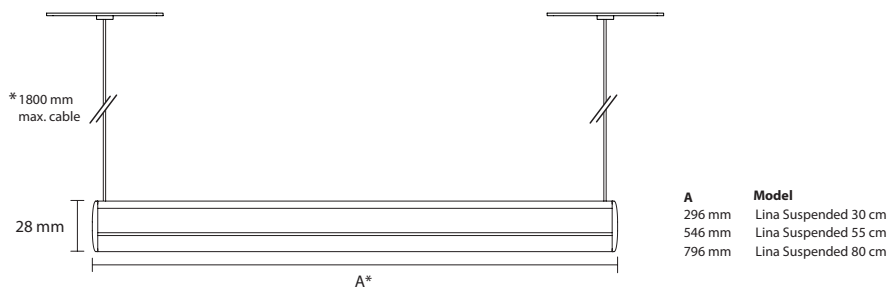
The Lina series uses high-quality components. No compromises are made in terms of the quality of the individual components. Unlike many other market players, **CLS designs and**

manufactures its products in the Netherlands. CLS belongs to a group of companies with more than 30 years of expertise in the lighting world.

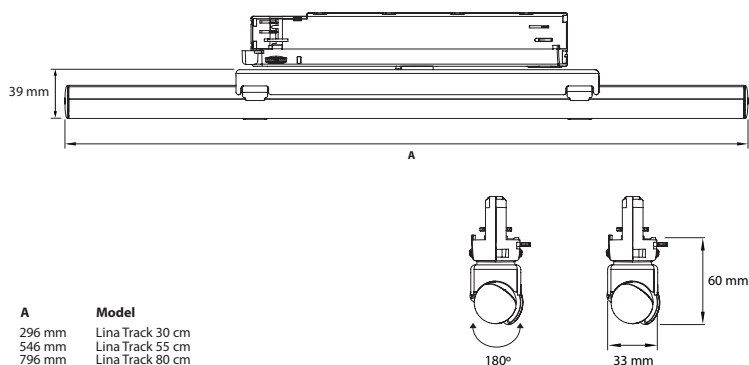
Dimensions Lina Clip series



Dimensions Lina Suspended series



Dimensions Lina Track series



> Lina Series

Linear indoor fixtures

Technical Specifications

LED:	High Power LED	
Available colours:	DF :	CRI ≈95: 2700K, 3000K & 4000K
	HP :	CRI ≈90: 2700K, 3000K & 4000K CRI ≈95: On request (moq)
Power supply:	100 - 240 VAC	
Power consumption:	DF 30 cm :	Max. 6 Watt
	DF 55 cm :	Max. 12 Watt
	DF 80 cm :	Max. 18 Watt
	HP 30 cm :	Max. 8 Watt
	HP 55 cm :	Max. 16 Watt
	HP 80 cm :	Max. 24 Watt
Housing:	black anodised aluminium or white coat	
Adjustment:	360° horizontal, 180° vertical	
Light beam:	DF :	120°
	HP :	14°, 16°, 30°, 42°, 120° & 36° x 14°
IP value:	IP20	
Ambient Temperature:	-10 °C tot 40 °C	

Icons

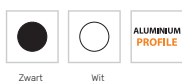
Colour & temperature



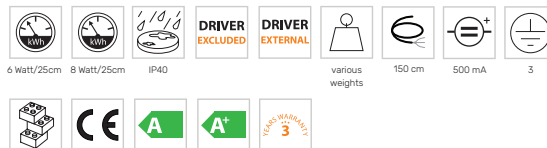
Beam angles



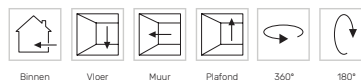
Housing



General specifications



Mounting options



Control options

